

## SPIRAL / COIL ZIPPERS

### #10 Coil Zipper Technical Data

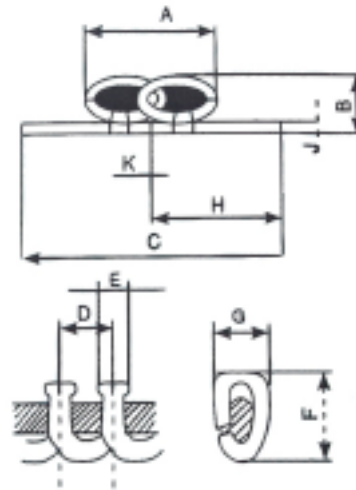
Dimensions / mm	
Teeth Join With (A)	10.45 ~ 10.55
Chain Height (B)	3.90 ~ 4.10
Overall Width (C)	42 ~ 44
Tape Width (H)	21.0 ~ 22.0
Tape Thickness (J)	0.60 ~ 0.70

Strength / Kg	
Lateral	92.0
Color Fast	4 - 5

Item	Specification & Material
Tape	100% Polyester
Monofilament	100% Polyester



### #10 Coil Zipper Special & Additional treatment

Options	Data	Note
Colors	Paskal Color Card	MOQ = 500m
Water Repellent	Available	
Fire Retardant	Available	
Fire Resistance	Available	
Weldable to	PVC / PE / PU / PP	
PU Coating	Shiny / Matt	
Marking	By Chock	

#### Packing

Packing in 100 or 200 meters / yards on Bobbin / Flat Pack – Other packing options are available.