

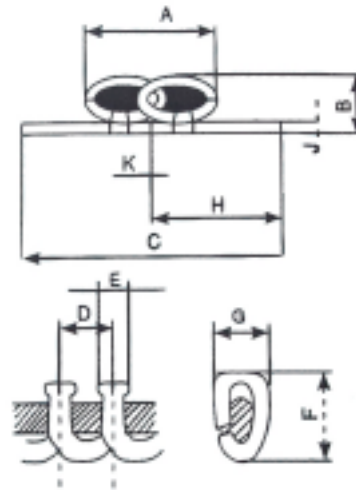
SPIRAL / COIL ZIPPERS

#8 Coil Zipper Technical Data

Dimensions / mm	
Teeth Join With (A)	7.10 ~ 7.25
Chain Height (B)	2.80 ~ 2.90
Overall Width (C)	5 ~ 37
Tape Width (H)	17.50 ~ 18.50
Tape Thickness (J)	0.45 ~ 0.50

Strength / Kg	
Lateral	71.0
Color Fast	4 - 5

Item	Specification & Material
Tape	100% Polyester
Monofilament	100% Polyester



#8 Coil Zipper Special & Additional treatment

Options	Data	Note
Colors	Paskal Color Card	MOQ = 500m
Water Repellent	Available	
Fire Retardant	Available	
Fire Resistance	Available	
Weldable to	PVC / PE / PU / PP	
PU Coating	Shiny / Matt	
Marking	By Chock	

Packing

Packing in 100 or 200 meters / yards on Bobbin / Flat Pack – Other packing options are available.