

## SPIRAL / COIL ZIPPERS

### #3 Coil Zipper Technical Data

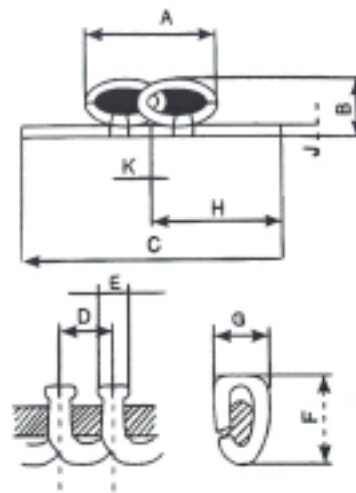
Dimensions / mm	
Teeth Join With (A)	4.05 ~ 4.15
Chain Height (B)	2.05 ~ 2.15
Overall Width (C)	24.0 ~ 25.0
Tape Width (H)	11.0 ~ 12.0
Tape Thickness (J)	0.45 ~ 0.50

Strength / Kg	
Lateral	41.0
Color Fast	4 - 5

Item	Specification & Material
Tape	100% Polyester
Monofilament	100% Polyester



### #3 Coil Zipper Special & Additional treatment

Options	Data	Note
Colors	Paskal Color Card	MOQ = 500m
Water Repellent	Available	
Fire Retardant	Available	
Fire Resistance	Available	
Weldable to	PVC / PE / PU / PP	
PU Coating	Shiny / Matt	
Marking	By Chock	

#### Packing

Packing in 100 or 200 meters / yards on Bobbin / Flat Pack – Other packing options are available.